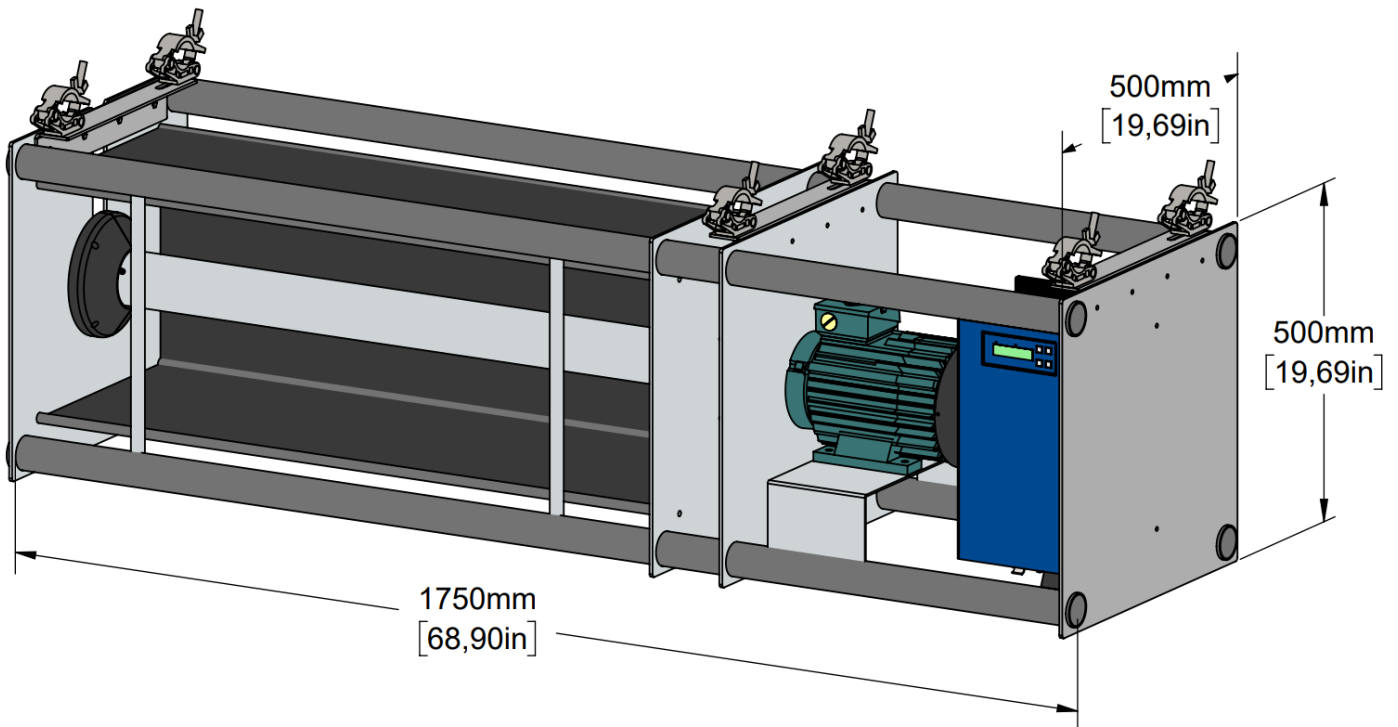


Curtain Sniffer

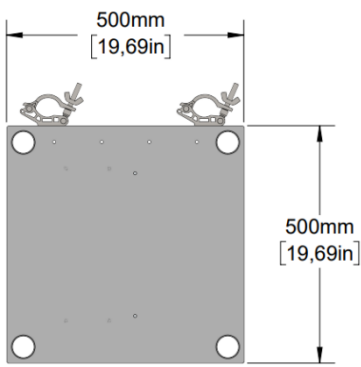
Item No. 293.0

TECHNICAL DATA

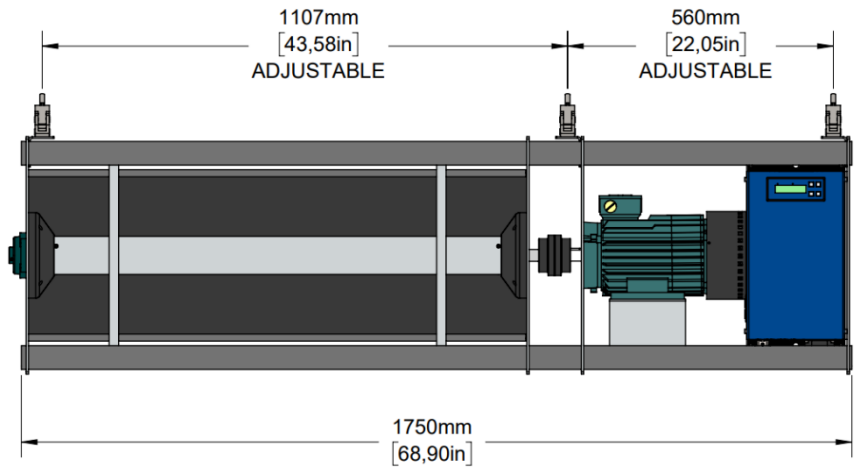
MODEL:	Curtain Sniffer
ITEM NO.:	293.0
DIMENSIONS (LxWxH):	1750 x 500 x 500 mm (68.9 x 19.7 x 19.7 in)
POWER SUPPLY:	3-phase 50/60 Hz 230 V / 400 V
POWER CONSUMPTION:	4500 W (6,5A)
POWER CONNECTION:	5p CEE 16A - 3P+N+PE
MOTOR:	230/400VAC, 1,5Kw 1400 RPM
CONTROL MODE:	Manual / DMX with position control
DMX SIGNAL:	DMX 512 1990+DMX512A
DMX CONNECTION:	5 Pole XLR (F/M)
SAFETY CONTROL:	Hold to run Three Point Deadman switch
MAX FABRIC WEIGHT:	15 kg (33.1 lb)
MAX FABRIC SIZE	100 m ² (1076 ft ²)
MAX SPEED:	12 m/s (39.4 ft/s)
NOISE EMISSION:	~ 70 dB
AMBIENT TEMPERATURE:	5-40 °C (41-104 °F)
WEIGHT:	70 kg (154.3 lb)
MOUNTING CLAMP:	6x Slim eye coupler 50mm (2in)



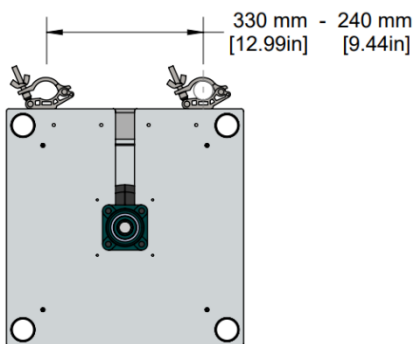
SIDE VIEW



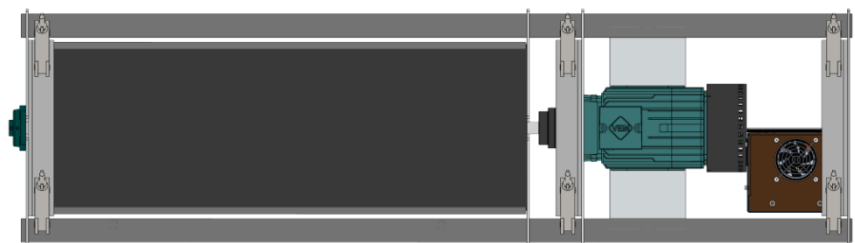
FRONT VIEW



SIDE VIEW



TOP VIEW



Enabling by Three Point Deadman Switch:

